

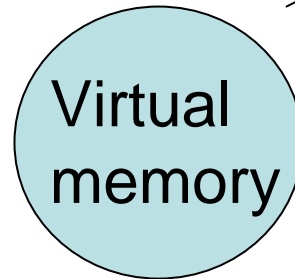
Enforcing Modularity

Client / Service

module per computer

module per virtual computer

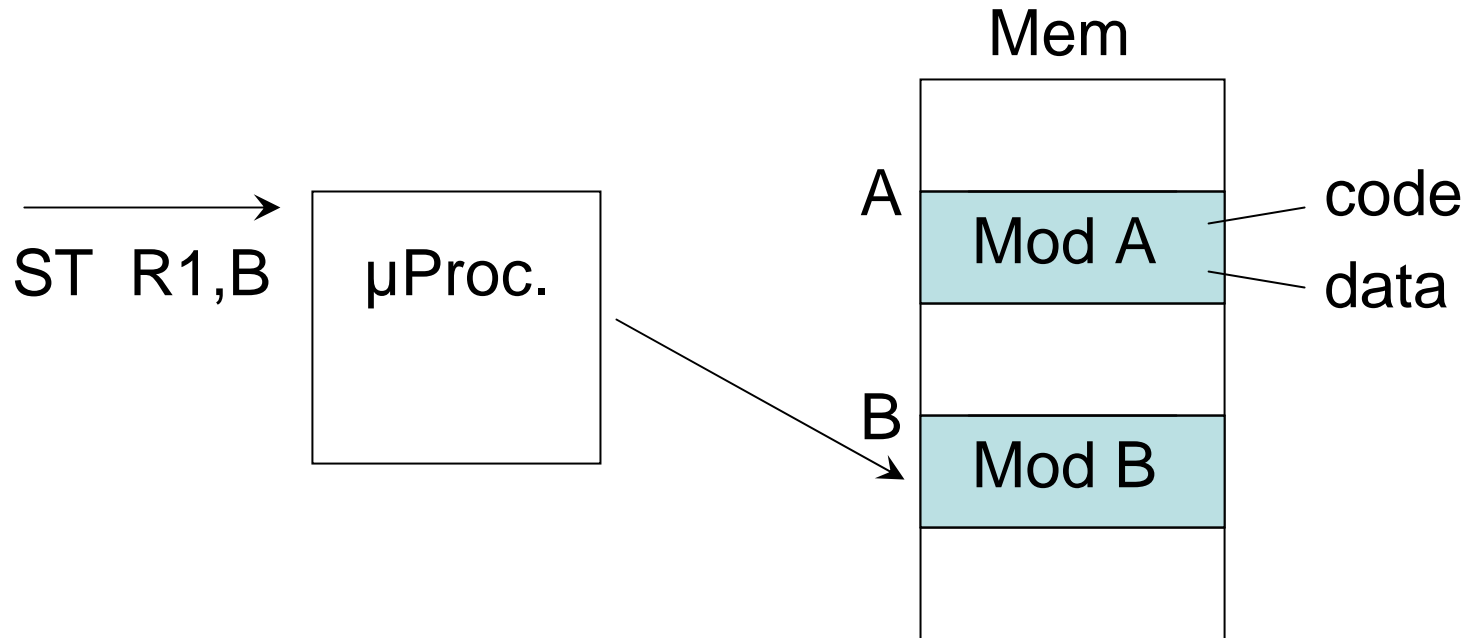
Kernel



Virtual
processor

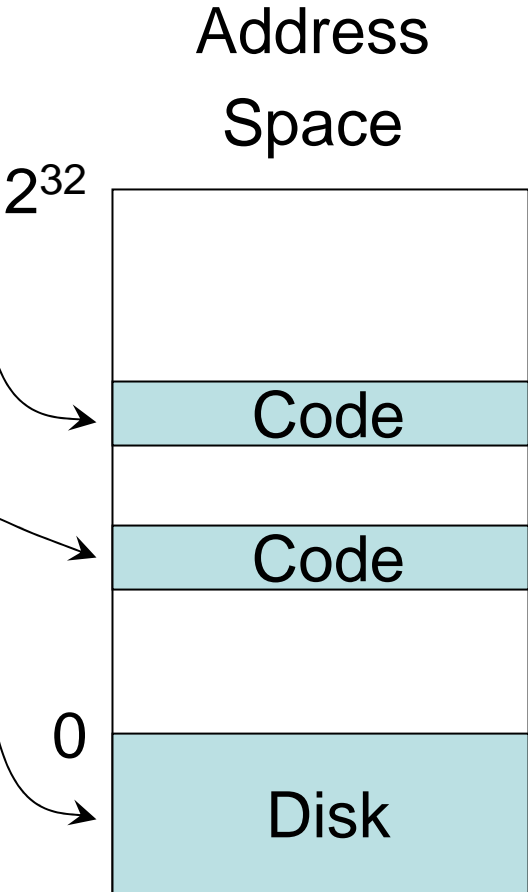
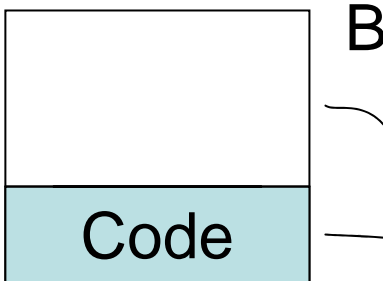
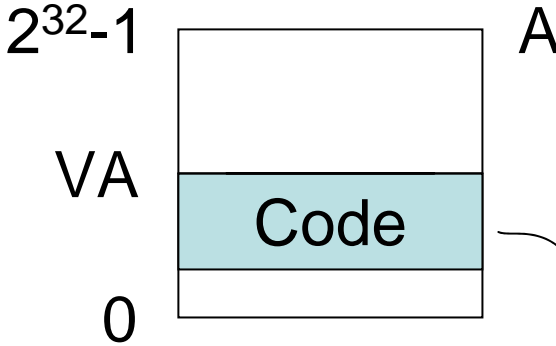
Why VM:

- A can overwrite B's memory

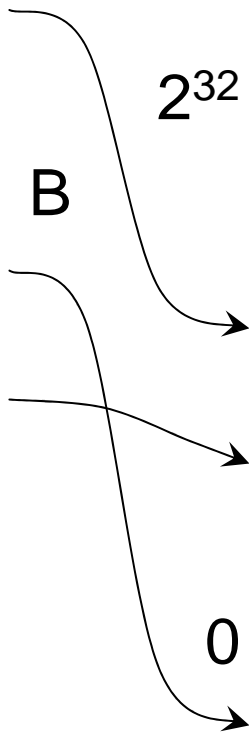


Virtual Memory

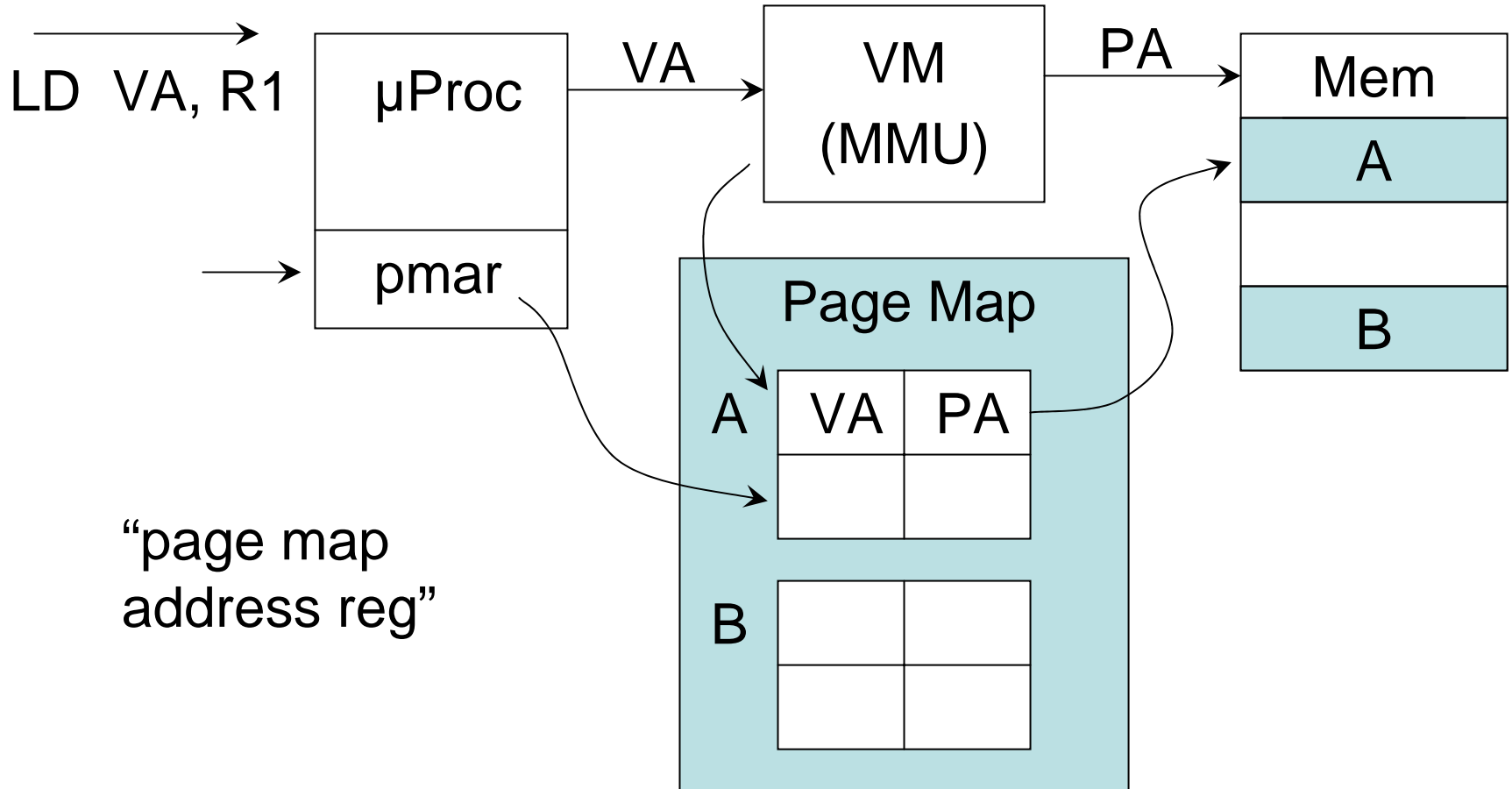
VA → VM → Physical Addr

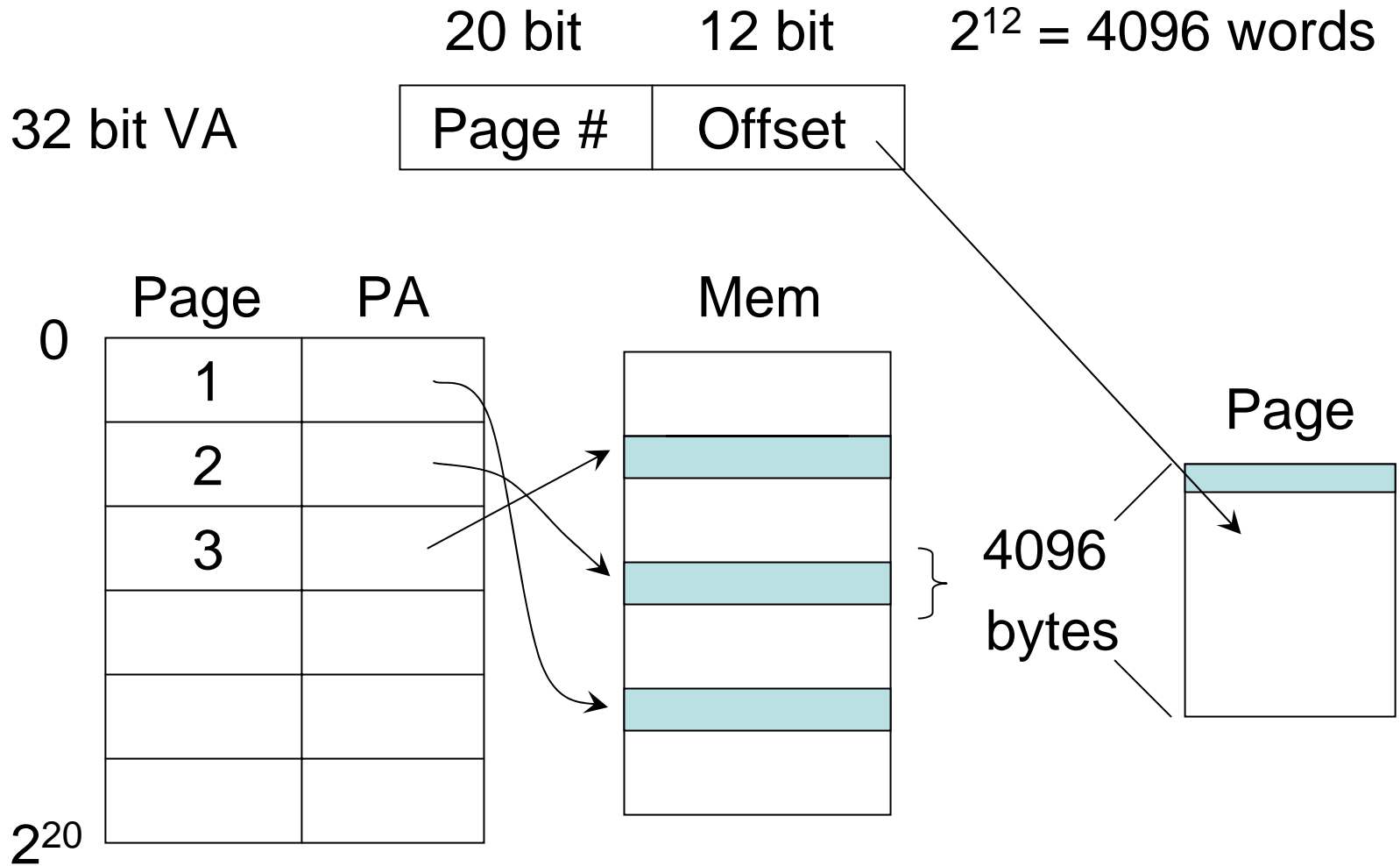


Memory

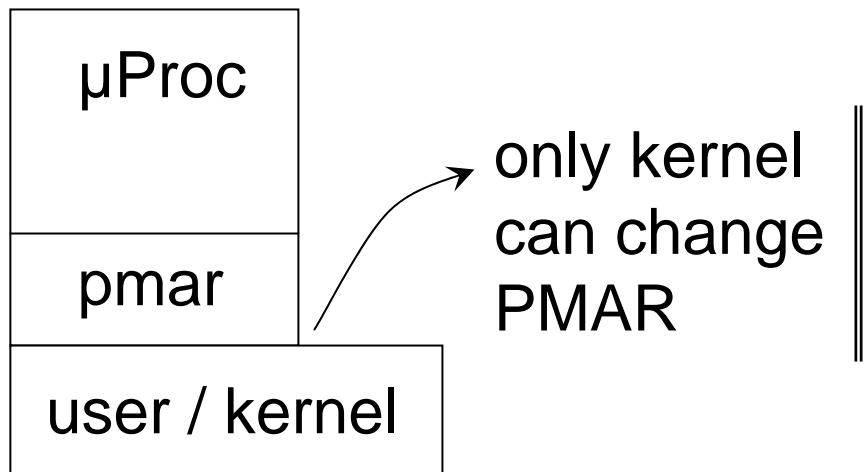


Simplified VM Hardware

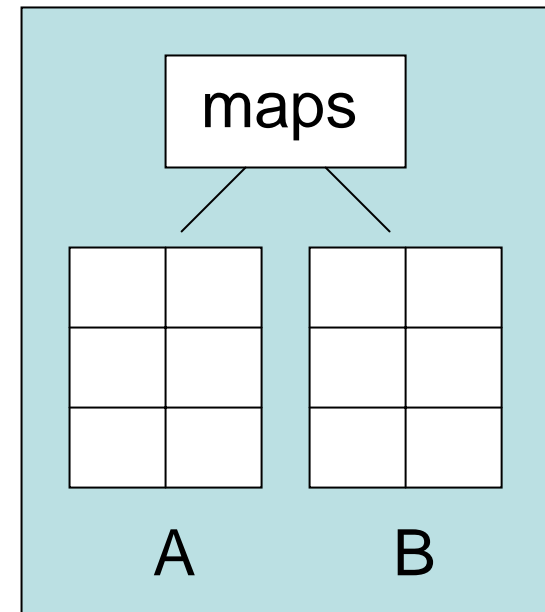




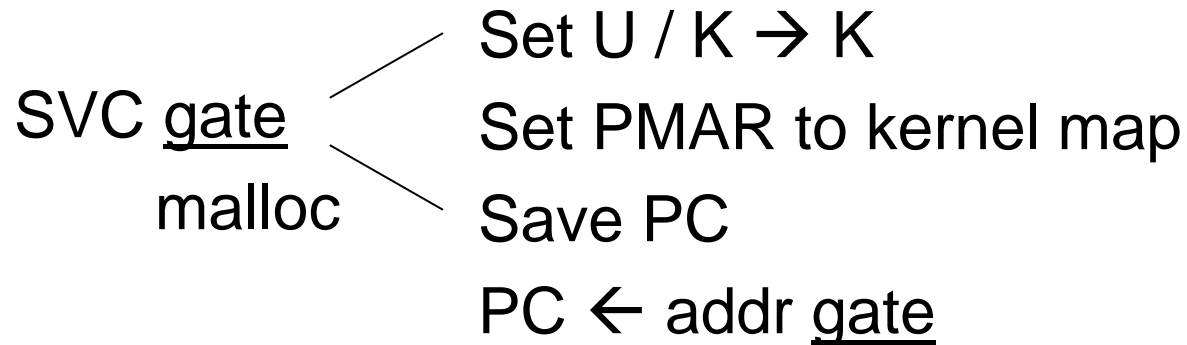
Supervisory Module - Kernel



Kernel AS



Supervisor Call - SVC



Kernel – Trusted intermediary

